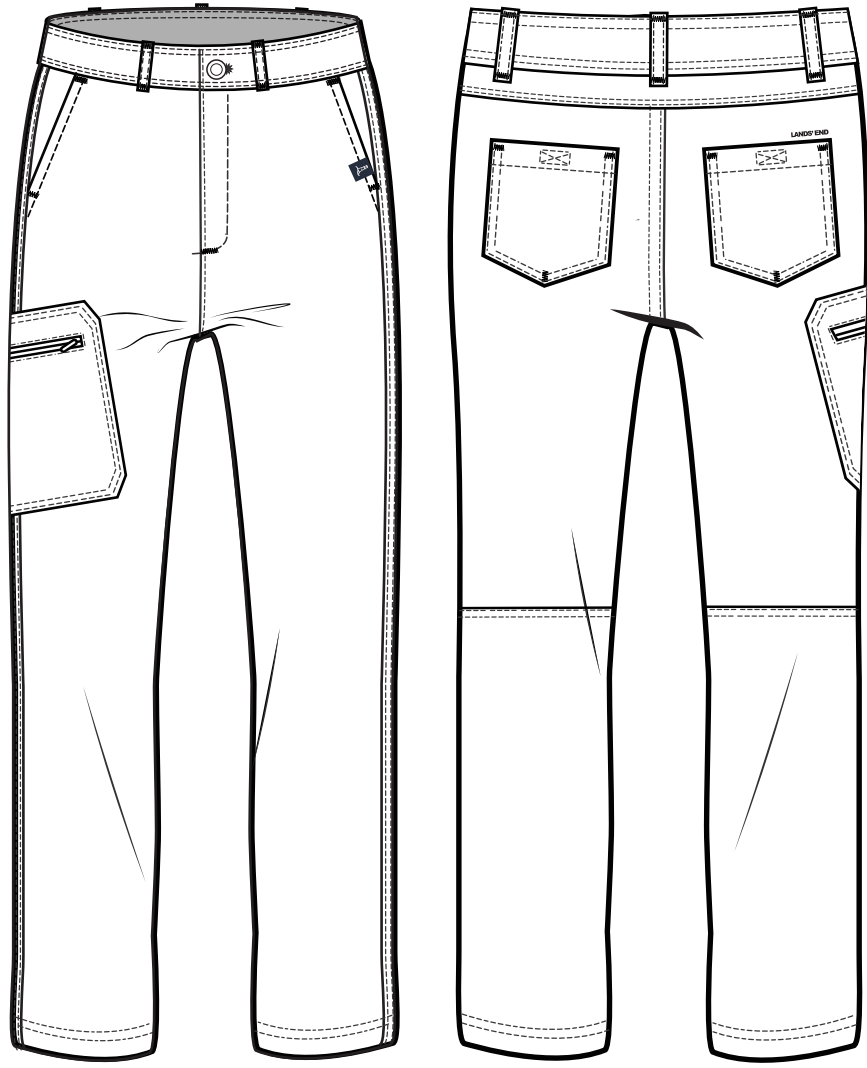


DESCRIPTION:	MOUNT EVEREST PANT	STYLE#:	LEM36WB546
FABRIC DESCRIPTION:	96/4 NYLON/SPANDEX W/ DWR FINISH, 180GSM	FIT:	STRAIGHT FIT
MILL:	APPAREL SOURCING	SIZE:	32 x 32
FACTORY:	APPAREL SOURCING	SUBMIT DATE:	12/02/25
DEV STAGE:	PRODUCTION	SMS DUE:	N/A
SEASON:	FALL 2026	DESIGNER:	L.HINES



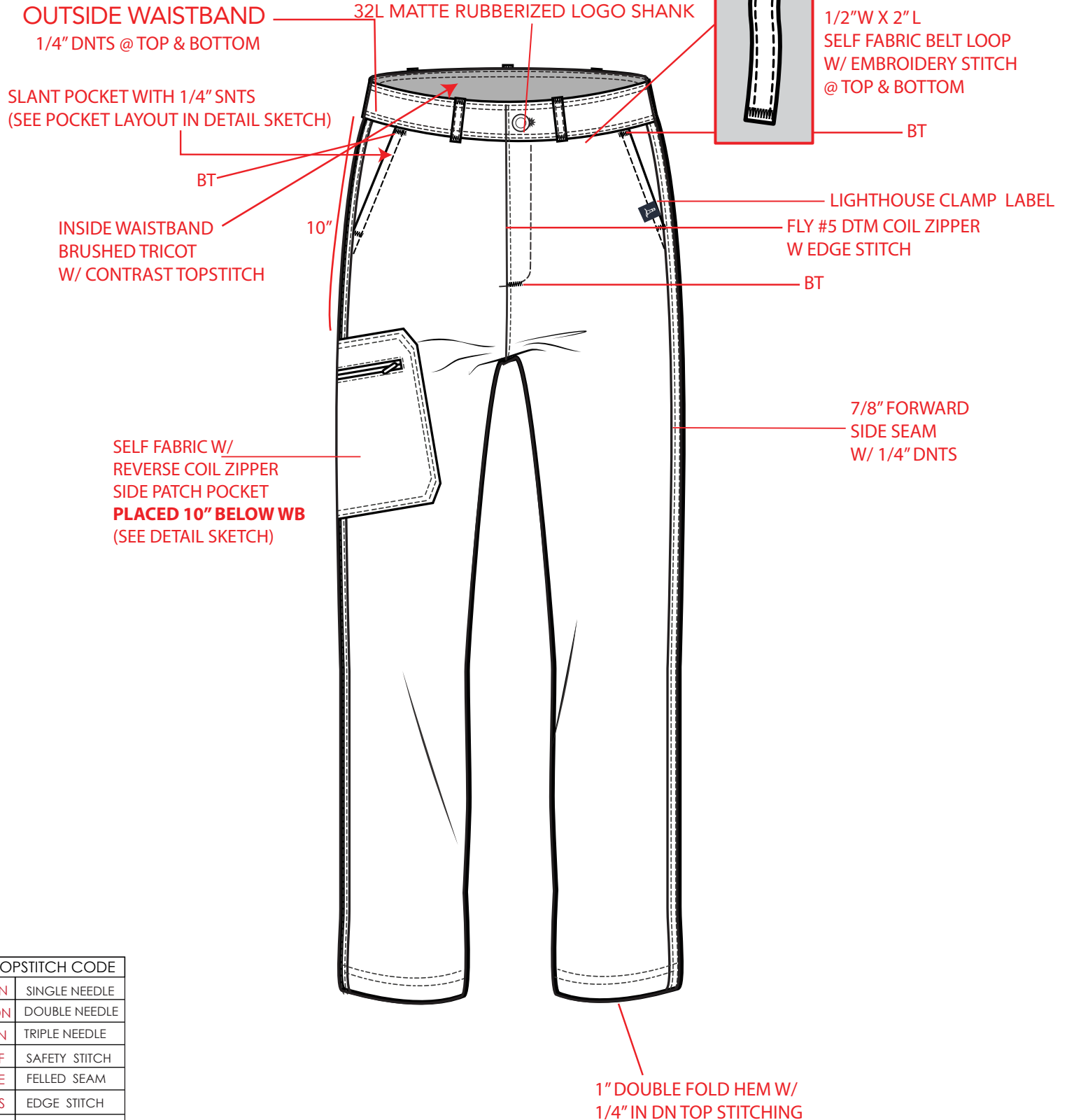
REVISED:



STYLE #:	LEM36WB546
STYLE NAME:	MOUNT EVEREST PANT
SEASON:	FALL 2026

FRONT DETAIL SKETCH

	FABRIC 1
	FABRIC 2



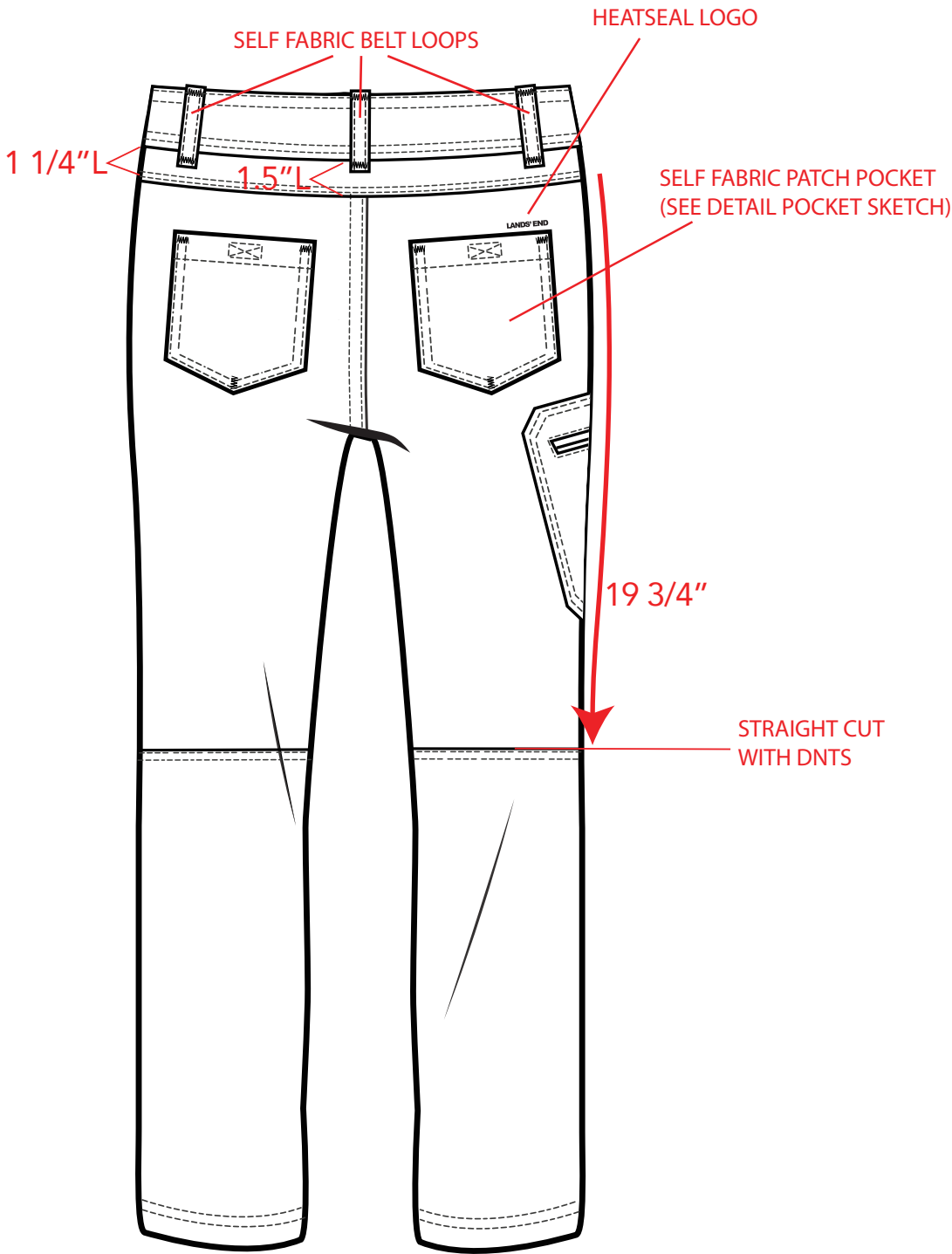
TOPSTITCH CODE	
SN	SINGLE NEEDLE
DN	DOUBLE NEEDLE
TN	TRIPLE NEEDLE
SF	SAFETY STITCH
FE	FELLED SEAM
ES	EDGE STITCH
BH	BUTTON HOLE
BT	BARTACK



STYLE #:	LEM36WB546
STYLE NAME:	MOUNT EVEREST PANT
SEASON:	FALL 2026

BACK DETAIL SKETCH

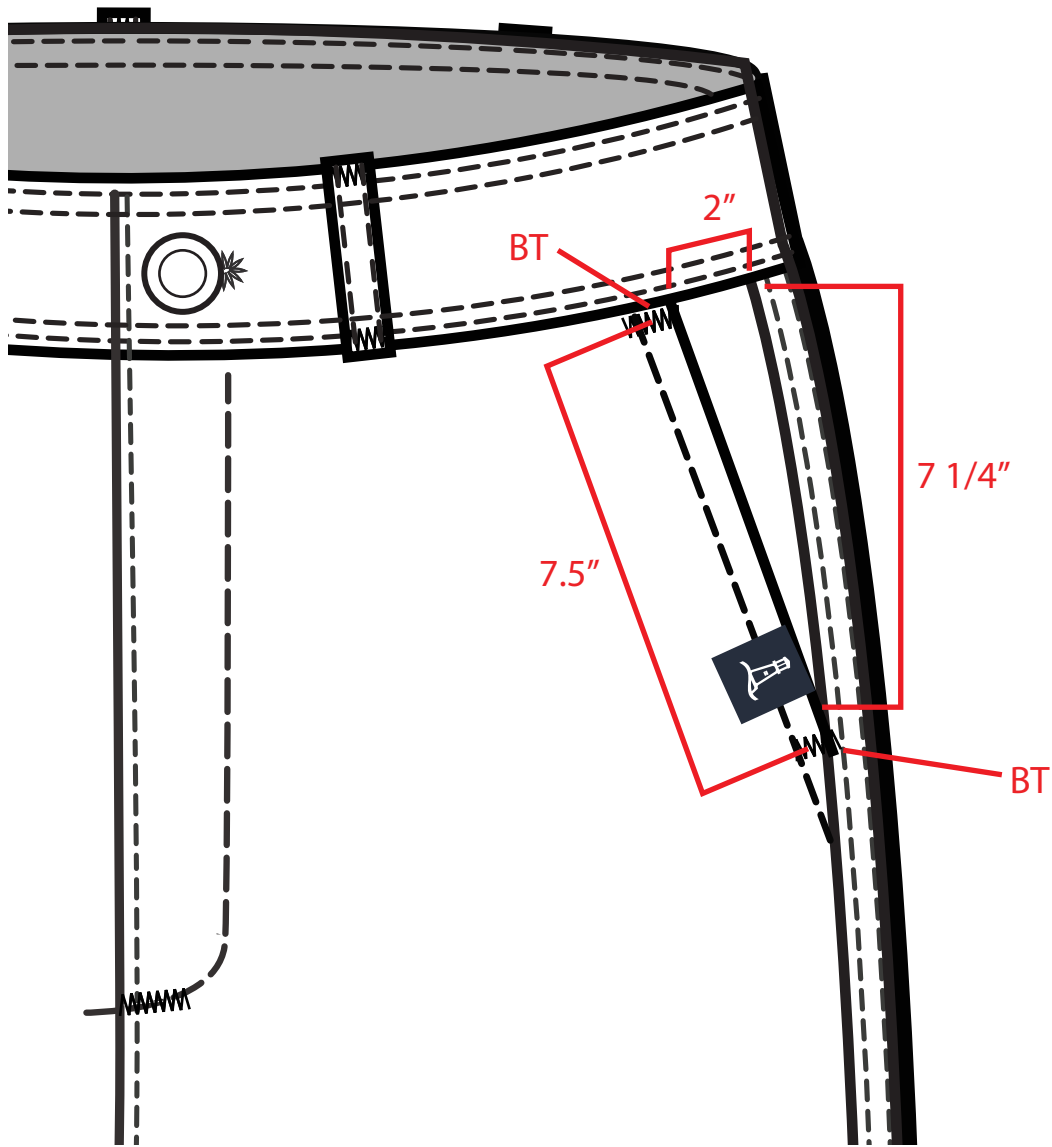
FABRIC 1



TOPSTITCH CODE	
SN	SINGLE NEEDLE
DN	DOUBLE NEEDLE
TN	TRIPLE NEEDLE
SF	SAFETY STITCH
FE	FELLED SEAM
ES	EDGE STITCH
BH	BUTTON HOLE
BT	BARTACK

STYLE #:	LEM36WB546
STYLE NAME:	MOUNT EVEREST PANT
SEASON:	FALL 2026

FRONT SLANT POCKET MEASUREMENTS





STYLE #:	LEM36WB546
STYLE NAME:	MOUNT EVEREST PANT
SEASON:	FALL 2026

BACK PATCH POCKET MEASUREMENTS



3/4" X 1.5" VELCRO INSIDE

BARTACKS
IN TRIANGULAR
SHAPE

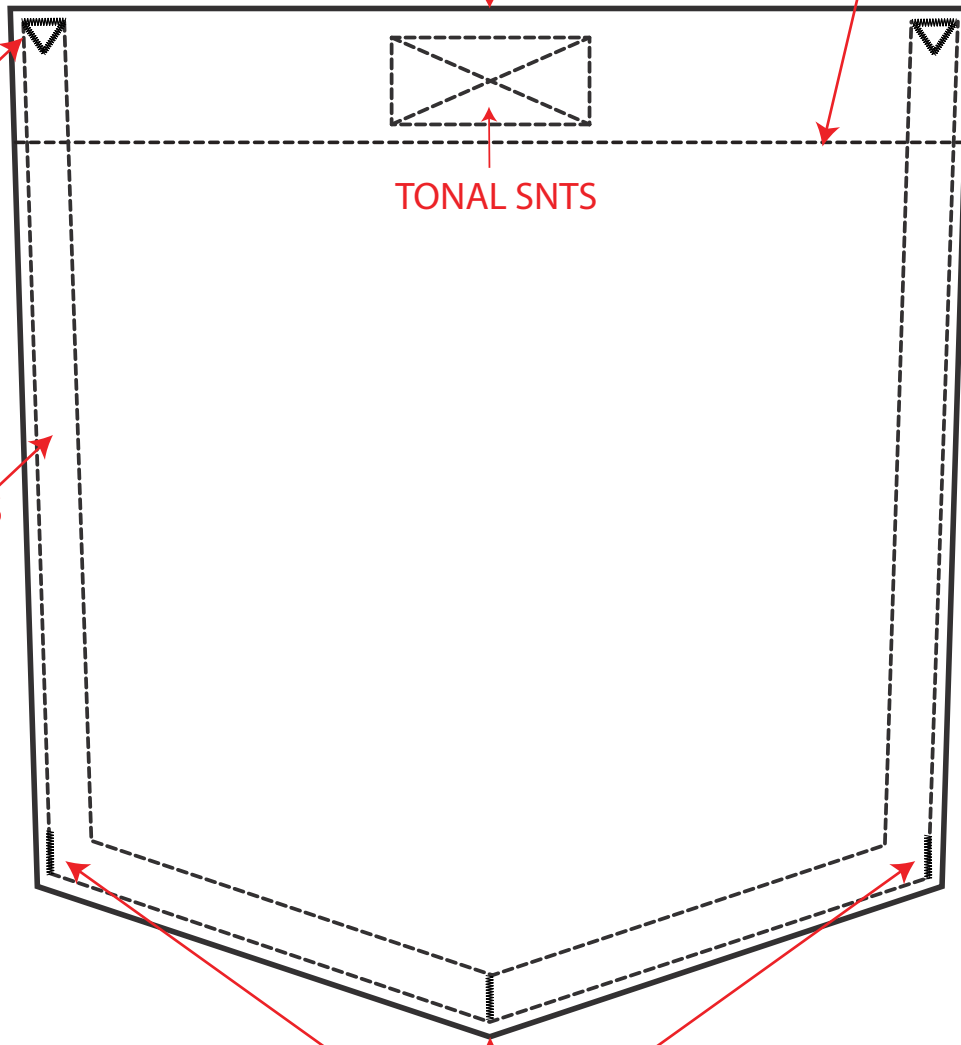
TONAL
1" SNTS

1"
DOUBLE FOLD
HEM

TONAL SNTS

TONAL 1/4" DNTS

BARTACK





STYLE #:

LEM36WB546

STYLE NAME:

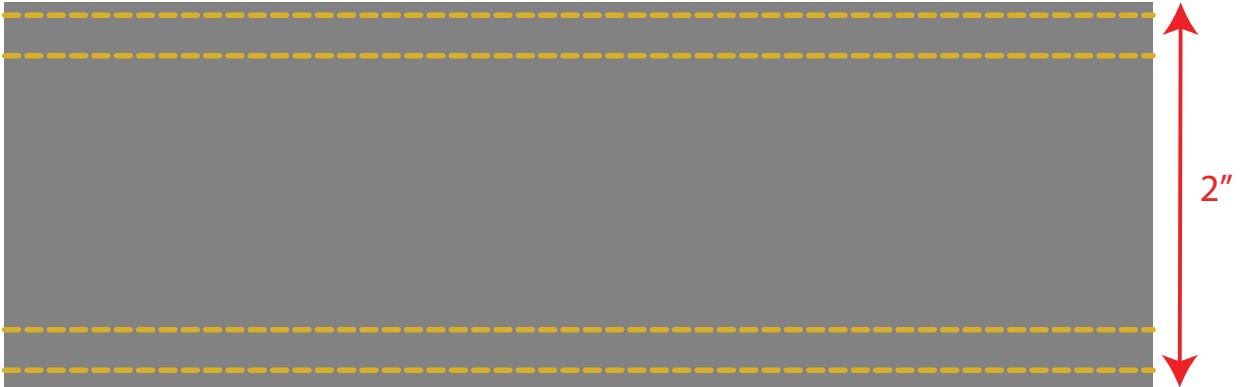
MOUNT EVEREST PANT

SEASON:

FALL 2026

WAISTBAND (FACING)

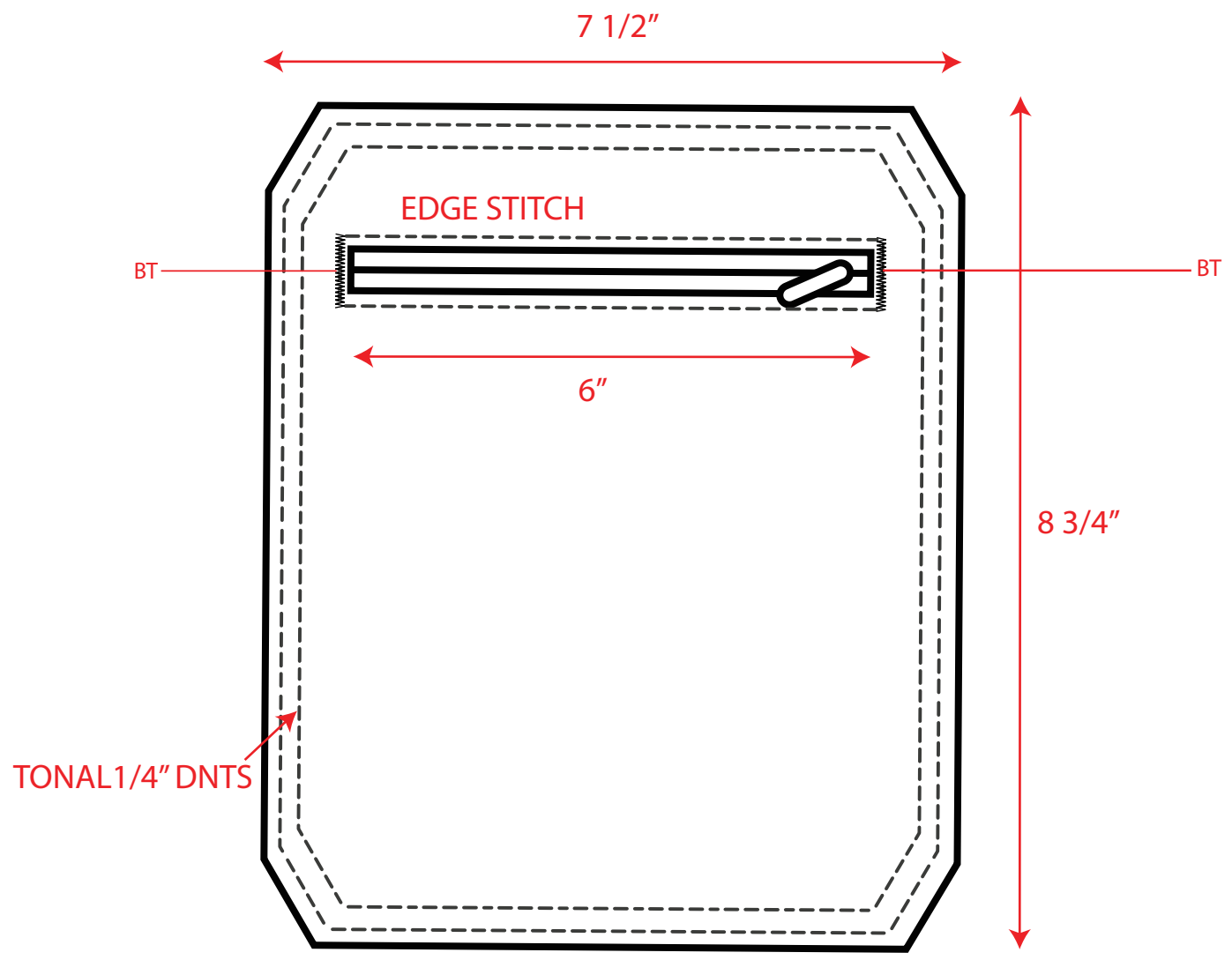
INSIDE WAISTBAND WITH CONTRAST STITCHING
(BRUSHED TRICOT FABRIC)





STYLE #:	LEM36WB546
STYLE NAME:	MOUNT EVEREST PANT
SEASON:	FALL 2026

SIDE PATCH POCKET MEASUREMENTS



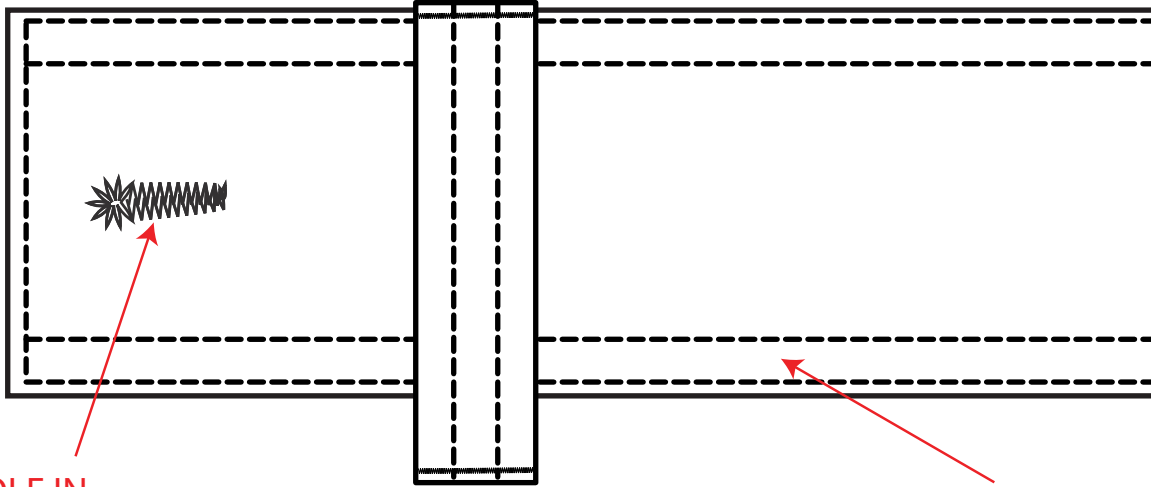


STYLE #: LEM36WB546

STYLE NAME: MOUNT EVEREST PANT

SEASON: FALL 2026

WAISTBAND (SELF)



KEYHOLE IN
CONTRAST COLOR STITCH

TONAL 1/4"
DNTS

LANDS' END 

STYLE #: LEM36WB546

STYLE NAME: MOUNT EVEREST PANT

SEASON: FALL 2026

32L GUNMETAL SHANK



**QANELA'S
FONT**





STYLE #:	LEM36WB546
STYLE NAME:	MOUNT EVEREST PANT
SEASON:	FALL 2026

BOM PAGE

FABRIC	DESCRIPTION	SIZE	QTY	PLACEMENT	SEPIA SPA	FOREST GRT0	NAVY BLAZER NBR	ASPHALT 19-0201 TCX ASP	BLACK 19-4007 TCX BLK	
FABRIC 1	96/4 NYLON/SPANDEX W/ DWR FINISH, 180GSM			FRONT & BACK LEGS INNER & OUTER WAISTBAND, CARGO POCKET, BACK POCKETS, BACK YOKE, BELT LOOPS, CF FLY, POCKET BAGS	SEPIA 17-1022 TCX	FOREST 19-0414 TCX	NAVY BLAZER 19-3923 TCX	ASPHALT 19-0201 TCX	BLACK 19-4007 TCX	
FABRIC 2	FTY SOURCED BRUSHED TRICOT FABRIC			WAISTBAND FACING	IRON GATE 19-3910 TCX	IRON GATE 19-3910 TCX	IRON GATE 19-3910 TCX	IRON GATE 19-3910 TCX	IRON GATE 19-3910 TCX	
FABRIC 3										
FABRIC 4	FTY SOURCED MESH LINING			POCKET BAG	BLACK 19-4007 TCX	BLACK 19-4007 TCX	BLACK 19-4007 TCX	BLACK 19-4007 TCX	BLACK 19-4007 TCX	
THREAD										
THREAD 1	TOPSTITCH THREAD & BARTACKS			BODY THREAD & BARTACKS	DTM GROUND	DTM GROUND	DTM GROUND	DTM GROUND	DTM GROUND	
THREAD 2	CONTRAST THREAD			WAISTBAND FACING AND CF BUTTONHOLE	COATS C2414	COATS C2414	COATS C2414	COATS C2414	COATS C2414	
TRIMS										
TRIM 1	GUNMETALSHANK BUTTON	32L	1	CF WAISTBAND	GUNMETAL	GUNMETAL	GUNMETAL	GUNMETAL	GUNMETAL	
TRIM 2	COIL ZIPPER	#3	1	CF FLY	DTM GROUND	DTM GROUND	DTM GROUND	DTM GROUND	DTM GROUND	
TRIM 3	LOCKING ZIPPER PULLER	#3	1	CF FLY	MATTE GUNMETAL	MATTE GUNMETAL	MATTE GUNMETAL	MATTE GUNMETAL	MATTE GUNMETAL	
TRIM 4	REVERSE COIL ZIPPER	#3	1	CARGO POCKET	DTM GROUND	DTM GROUND	DTM GROUND	DTM GROUND	DTM GROUND	
TRIM 5	LOCKING ZIPPER PULLER	#3	1	CARGO POCKET	MATTE GUNMETAL W/ BLACK TIP	MATTE GUNMETAL W/ BLACK TIP	MATTE GUNMETAL W/ BLACK TIP	MATTE GUNMETAL W/ BLACK TIP	MATTE GUNMETAL W/ BLACK TIP	
TRIM 6	VELCRO	1 1/2"	2	BACK POCKETS	DTM GROUND	DTM GROUND	DTM GROUND	DTM GROUND	DTM GROUND	
TRIM 7	HEATSEAL LABEL		1	ABOVE BACK POCKET (RIGHT SIDE OF THE WEARER)	SIVER REFLECTIVE	SIVER REFLECTIVE	SIVER REFLECTIVE	SIVER REFLECTIVE	SIVER REFLECTIVE	

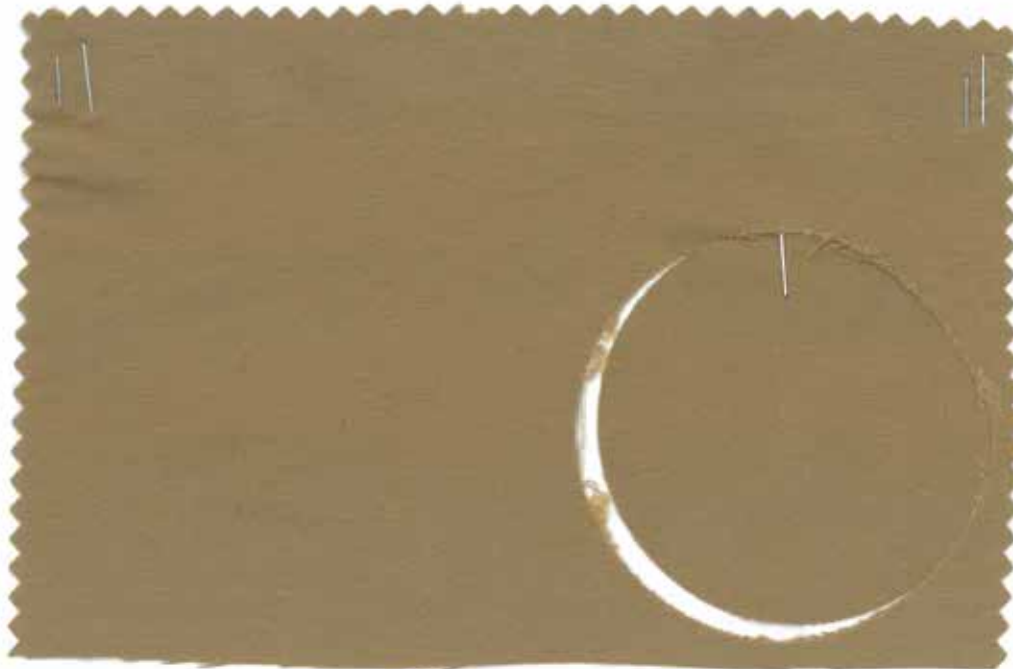


STYLE #:	LEM36WB546
STYLE NAME:	MOUNT EVEREST PANT
SEASON:	FALL 2026

FABRIC PAGE


Windtex International Limited

FABRIC/COLOR CARD	
ATTN:- Rhadhika	Required by Apparel Sourcing
Fabric: MOUNT EVEREST PANT OG:LE-S26-143 96%nylon 4%spandex Taslon warp spandex, N70D+40DX160D+160D,W/R PFAS frees standard 175-180GSM cw56" WTSH251010-3	Style:LEM36WB546 CODE:
Color:	Width: 56"
Date:18TH NOV 2025	Light source:
Purpose: FABRIC QUALITY FOR YOUR APPROVAL	



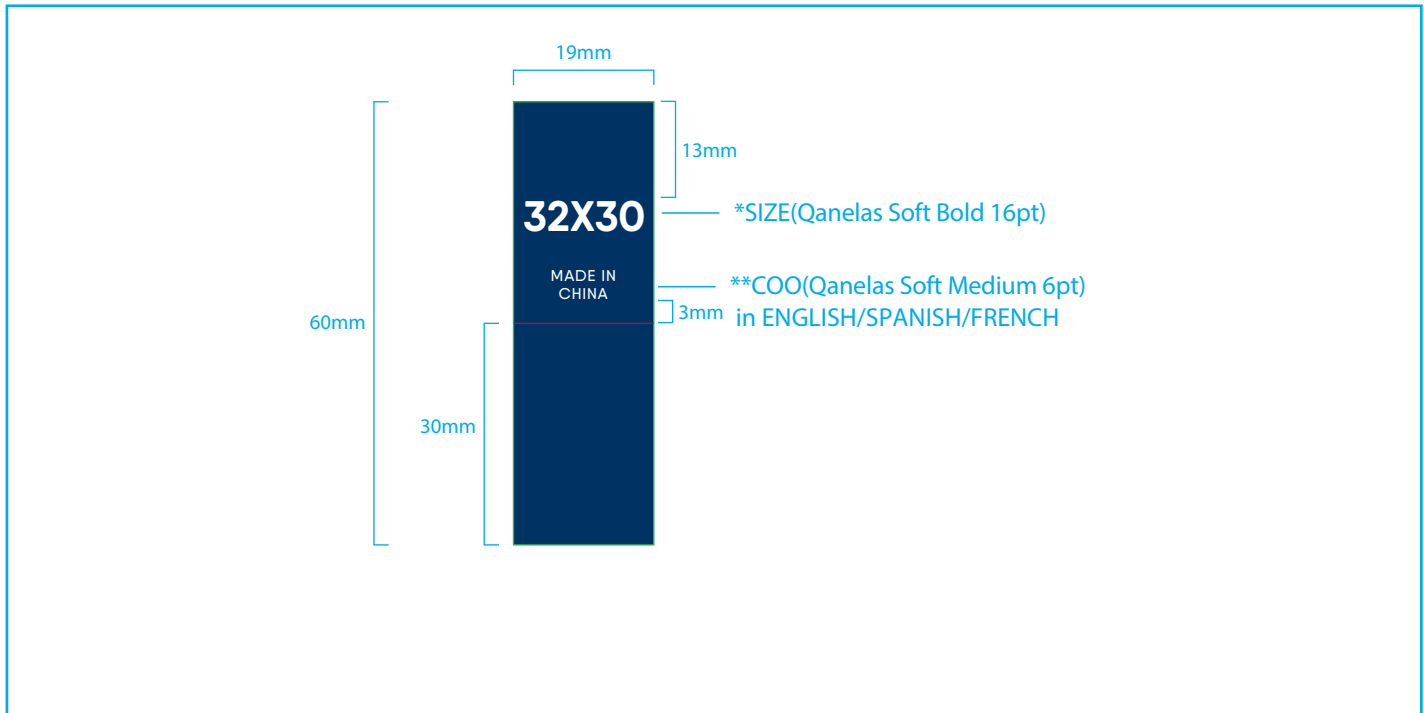
*received
w/ P.P.
11/19
APPROVED*

*183
93m*

	STYLE #:	LEM36WB546
	STYLE NAME:	MOUNT EVEREST PANT
	SEASON:	FALL 2026

PACKAGING (SIZE LABEL)

BOTTOMS NUMERICAL SIZES



GROUND
NAVY BLAZER
19-3923 TCX

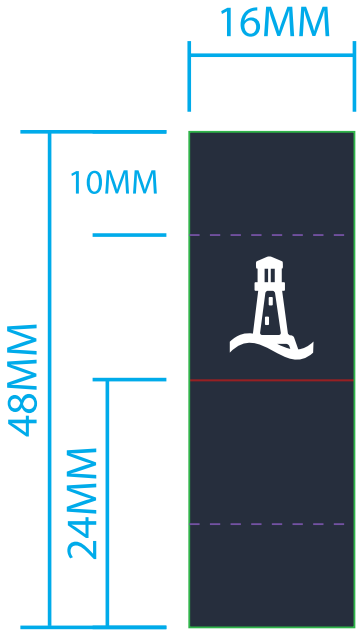


LETTERING
WHITE
11-0601 TCX



STYLE #:	LEM36WB546
STYLE NAME:	MOUNT EVEREST PANT
SEASON:	FALL 2026

PACKAGING (CLAMP LABEL)



**GROUND
NAVY BLAZER
19-3923 TCX**



**LIGHTHOUSE
BRIGHT WHITE
11-0601 TCX**



STYLE #:	LEM36WB546
STYLE NAME:	MOUNT EVEREST PANT
SEASON:	FALL 2026

PACKAGING (HEAT SEAL LABEL)



PRINTED LABEL

PLACED 1/4" ABOVE TOP
OF POCKET AND 3/8" FROM
RIGHT EDGE

LET-007C

< LET-007C >

LANDS' END

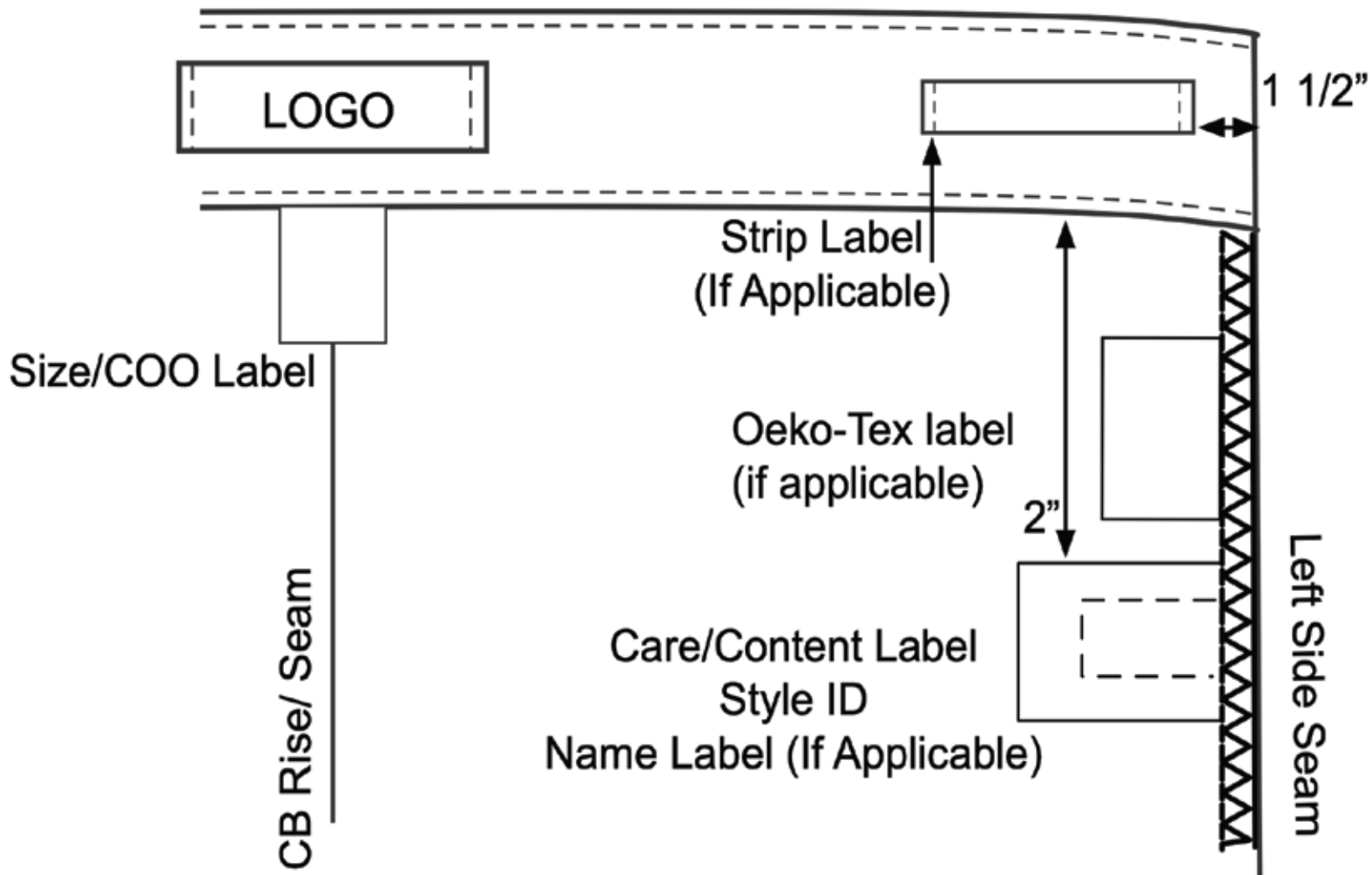
1/4" in

1 1/2" in





STYLE #:	LEM36WB546
STYLE NAME:	MOUNT EVEREST PANT
SEASON:	FALL 2026

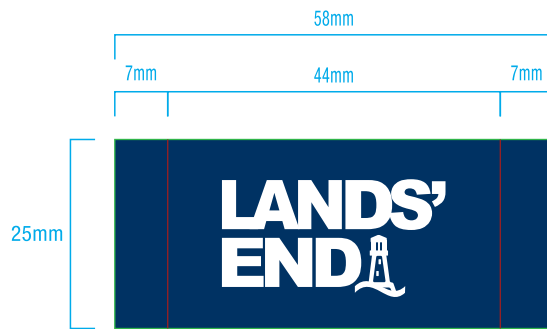




STYLE #: LEM36WB546

STYLE NAME: MOUNT EVEREST PANT

SEASON: FALL 2026



LANDS' END 

STYLE #: LEM36WB546

STYLE NAME: MOUNT EVEREST PANT

SEASON: FALL 2026

CONTRAST STITCH DETAIL REFERENCE





STYLE #: LEM36WB546

STYLE NAME: MOUNT EVEREST PANT

SEASON: FALL 2026

LANDS END MENS CARE LABEL

**2 SIDED
LABEL**

33MM"

.75"

FRONT



80% MODAL / 20% POLYESTER
80% MODAL / 20% POLIÉSTER
80% MODAL / 20% POLYESTER

EXCLUSIVE OF DECORATION
EXCLUYENDO LA DECORACIÓN
DÉCORATION NON COMPRISES

M

RN 168874
CA 67101

MADE IN CHINA
HECHO EN CHINA
FABRIQUÉ EN CHINE

5.5"

BACK



MACHINE WASH COLD WITH
LIKE COLORS
DELICATE CYCLE
USE MILD DETERGENT.
ONLY NON-CHLORINE BLEACH
WHEN NEEDED
TUMBLE DRY LOW
COOL IRON IF NECESSARY

LAVAR CON COLORES SIMILARES
EN LAVADORA CON AGUA FRIA(30°C)
EN CICLO DELICADO.
USAR DETERGENTE SUAVE
USAR SOLAMENTE BLANQUEADOR
SIN CLORO CUANDO SEA NECESARIO
NO EXPRIMIR CENTRIFUGAR.
SECAR EN SECADORA A
TEMPERATURE BAJA (60°C).
PLANCHAR A TEMPERATURA
TIBIA (110°)


LAVER À L'EAU FROIDE AVEC DES
COULEURS SEMBLABLES.
CYCLE DELICAT. UTILISER
SEULEMENT UN AGENT DE
BLANCHIMENT NON CHLORE, AU
BESOIN. SECHER PAR CULBUTAGE À
BASSE TEMPERATURE. REPASSER À
BASSE TEMPERATURE, AU BESOIN.



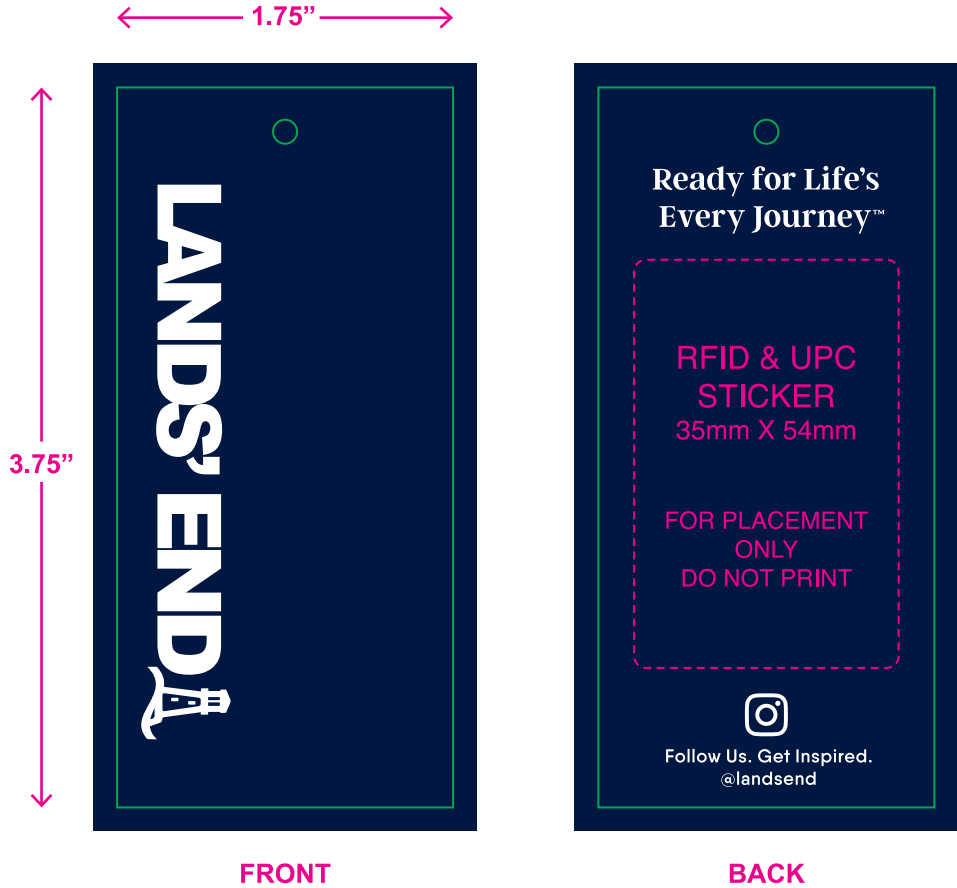
VENDOR CODE: 1007



**NAVY BLAZER
19-3923 TCX**

	STYLE #:	LEM36WB546
	STYLE NAME:	MOUNT EVEREST PANT
	SEASON:	FALL 2026

MAIN HANG TAG



BRAND: Lands' End	SEASON: Fall 2025	TRIM CODE:
PRODUCT:	STYLE #:	TRIM TYPE: Hang Tag
DATE: 05-02-25	REVISED: 05-08-25	DESIGNER: VW
MATERIAL: Coated White Card Stock (See Sample)	FINISH: Matte Film Laminate	


COLORS:



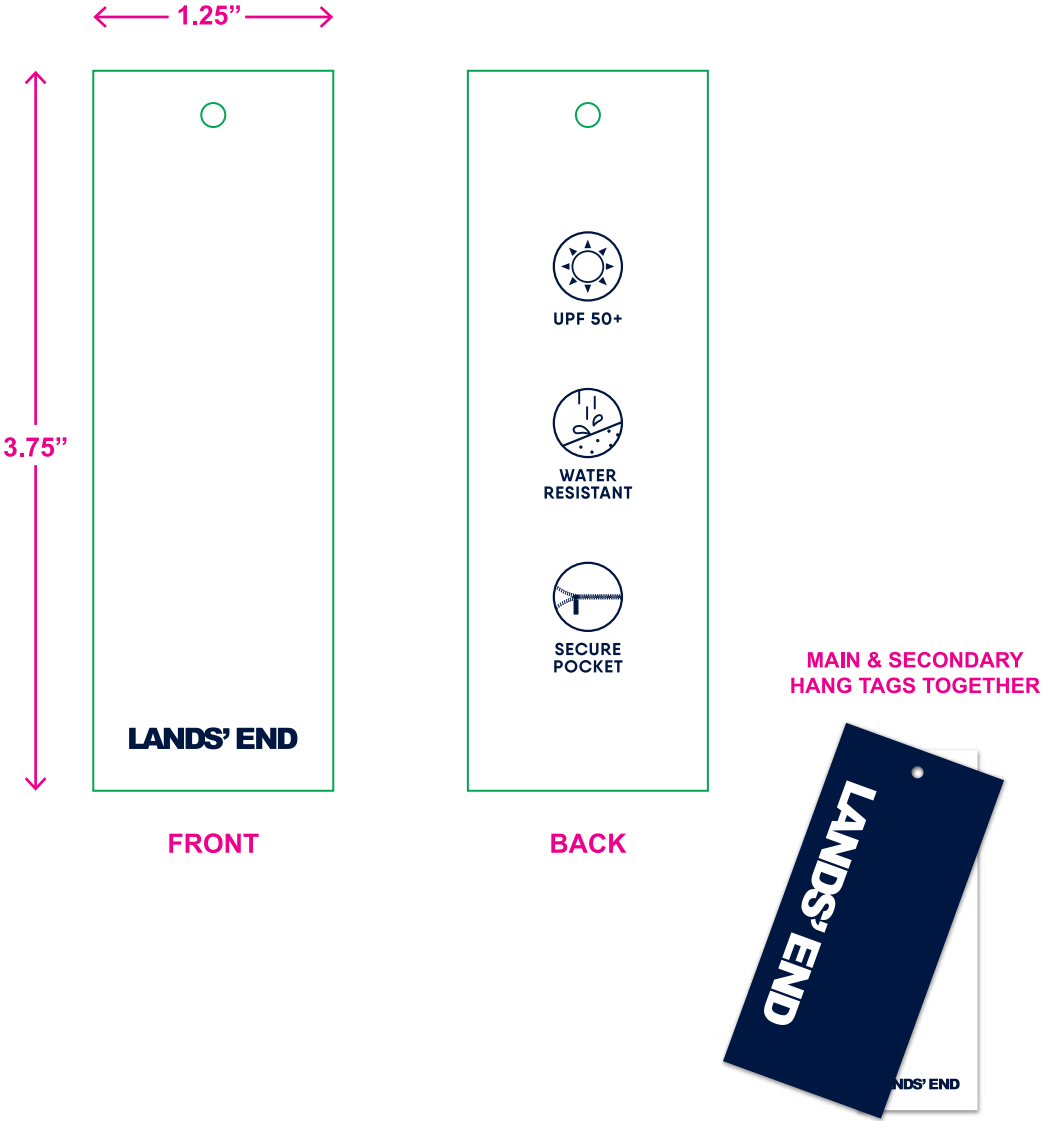
PMS 289C



- TECHNICAL SPECS: **DO NOT PRINT**
- DIELINE**
 - FOLD LINE**
 - PERFORATION**
 - SPOT UV**
 - FOIL STAMP**
 - EMBOSS**
 - DEBOSS**
 - CALL OUTS**

LANDS' END 	STYLE #:	LEM36WB546
	STYLE NAME:	MOUNT EVEREST PANT
	SEASON:	FALL 2026

SECONDARY HANG TAG



BRAND: Lands' End	SEASON: Fall 2025	TRIM CODE:
PRODUCT: Men's Mount Everest Pants	STYLE #: LEM35WB546	TRIM TYPE: Hang Tag
DATE: 02-28-25	REVISED:	RETAILER: Mainline & Off Price
MATERIAL: Coated White Card Stock (See Sample)	DESIGNER: VW	FINISH: Matte Film Laminate



COLORS:



PMS 289C

- TECHNICAL SPECS:** DO NOT PRINT
- DIELINE**
 - FOLD LINE**
 - PERFORATION**
 - SPOT UV**
 - FOIL STAMP**
 - EMBOSS**
 - DEBOSS**
 - CALL OUTS**



STYLE #: LEM36WB546

STYLE NAME: MOUNT EVEREST PANT

SEASON: FALL 2026



32x30

Qanelas Soft Semibold size=13pt

32x30

Qanelas Soft Semibold size=39pt

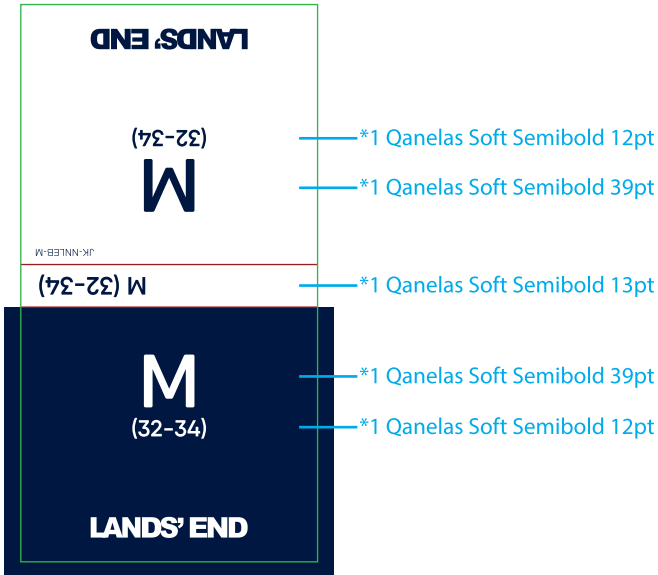
TRADITIONAL FIT
 STRAIGHT FIT
 SLIM FIT
 TAILORED FIT
 ATHLETIC FIT

Qanelas Soft Medium size=6.75pt

TRADITIONAL FIT
 STRAIGHT FIT
 SLIM FIT
 TAILORED FIT
 ATHLETIC FIT

Qanelas Soft Semibold size=12pt

2.125"



4"

